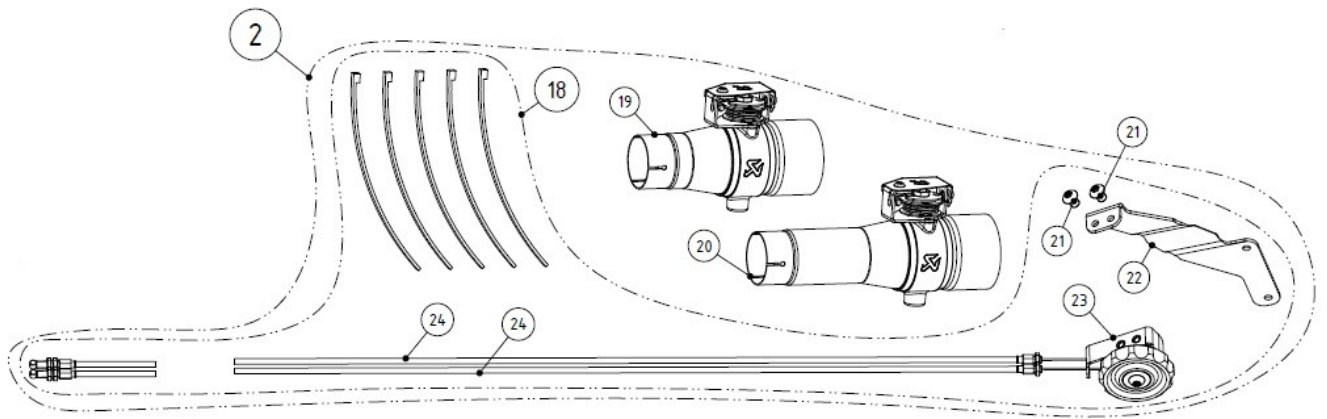


**WARNING! EC TYPE APPROVAL IS NOT VALID  
WHEN OPTIONAL VALVE SYSTEM IS INSTALLED!**



No.	SALES CODE	DESCRIPTION	QTY.
2	P-HDV5/1	valve set	1
18	P-HF656	fitting kit	1
19	LP-HDST2/1	link pipe with valve	1
20	LP-HDST4/1	link pipe with valve	1
21	P-FB31	bolt	2
22	P-X76	bracket SS	1
23	P-HF639	switch	1
24	P-HF631	braids exup valve	2