



Suzuki GSX-R 600 (2006)

Slip-On Exhaust System

# Akrapovic Slip-On Exhaust System

## for the Suzuki GSX-R 600 (2006)

The Akrapovic Slip-On system is designed for riders who are looking for a base-level exhaust system modification. It is an excellent combination of performance, production quality and affordability, and a renowned brand name. The HEXAGONAL muffler design complements the sports styling of the Suzuki. The Street Legal version of the system conforms to all regulations regarding exhaust system noise levels for street use.

### PERFORMANCE

**Measurements of the Akrapovic SLIP-ON system on the SUZUKI GSX-R 600 (without muffler insert):**

Power & Torque: the Akrapovic Slip-On system delivers increase engine responsiveness. The increase gradually expands from the low end up to around 7000 rpm. From there to the top of the range the increase remains at the same level. At 14000 rpm we measured 114.4 HP, with a max. increased power of 5.9 HP at 9200 rpm.

### CONFIGURATION

The Akrapovic Slip-On system for the Suzuki is composed of a conical stainless steel link pipe and a HEXAGONAL muffler. They are attached with a sleeve joint which is secured with silicon-shielded springs. The link pipe is attached to the stock header assembly with another sleeve joint, which is double secured with a silicon-shielded spring and a metal clamp. The outer sleeve of the HEXAGONAL muffler is available in either carbon fiber or titanium. The inlet cap and perforated inner sleeve are made of titanium, while the outlet cap is made of carbon fiber. The system is attached to the frame using an Akrapovic carbon fiber clamp and a carbon fiber bracket. A catalytic converter is available as an option. The Street Legal version comes with a noise damper installed in the muffler.

	PERFORMANCE		
	stock	AKRAPOVIC	max. increased power
max. rear wheel power HP / rpm (measured on Dynojet ATV)	111 / 13800	114.4 / 14000	5.9 / 9200

	CONFIGURATION		
	header tubes	collector	link pipe
material	-	-	STAINLESS STEEL
tube shape	-	-	CONICAL

interference crossover tubes	-	lambda sensor	-
header tube inner sleeves	-	header tube flanges	-
header tubes - collector connection	-	collector / header tube - link pipe connection	SLEEVE JOINT + METAL CLAMP + SILICON SHIELDED SPRING
link pipe - muffler connection	SLEEVE JOINT + SILICON SHIELDED SPRING	muffler inlet cap / outlet cap	TITANIUM / CARBON-FIBER
muffler metal interior	TITANIUM	muffler outer sleeve	TITANIUM / CARBON-FIBER
muffler clamp	CARBON-FIBER	muffler bracket	CARBON-FIBER
muffler insert	EU	NOISE DAMPER	heat shield
	US	-	catalytic converter
			OPTIONAL

	ADDITIONAL DATA				
	stock	AKRAPOVIC		difference	
weight comparison (kg)	6.29	S.S. link pipe	TITANIUM link pipe	stock - S.S.	stock - titanium
		2.27	-	4.02	-
noise measurements (dB / rpm)	stock		AKRAPOVIC		
	100 / 6750		100 / 6750 (Street Legal version) 102 / 6750 (open)		
possibility of periodic service without removing A.E.S.	oil		oil filter		
	YES		YES		
legal for street use	YES (Street Legal version)				

Technical specifications of Akrapovic exhaust systems and related products subject to change without notice.

Product code: S-S6S03-ZC, S-S6S03-ZT  
S-S6S03-HZC, S-S6S03-HZT (homologated)

# Akrapovic Slip-On Exhaust System for the Suzuki GSX-R 600 (2006)



CARBON-FIBER  
MUFFLER CLAMP

Road  
Program

Product code: S-S6SO3-ZC, S-S6SO3-ZT  
S-S6SO3-HZC, S-S6SO3-HZT (homologated)

# Akrapovic Slip-On Exhaust System for the Suzuki GSX-R 600 (2006)



Akrapovic Exhaust System Technology copyright 2006, all rights reserved

Road  
Program

Product code: S-S6S03-ZC, S-S6S03-ZT  
S-S6S03-HZC, S-S6S03-HZT (homologated)

# Akrapovic Slip-On Exhaust System for the Suzuki GSX-R 600 (2006)



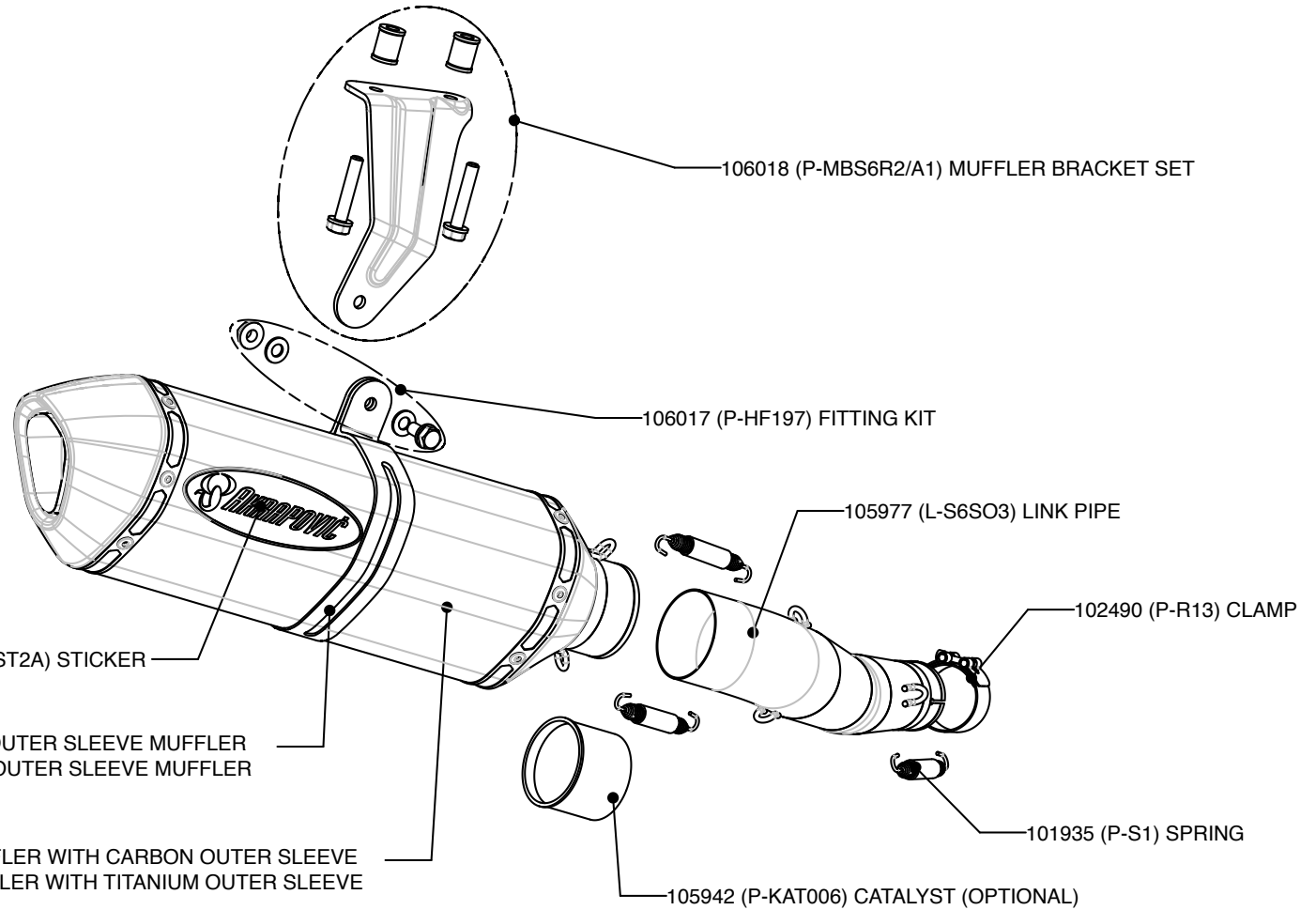
Akrapovic Exhaust System Technology copyright 2006, all rights reserved

Road Program

Product code: S-S6S03-ZC, S-S6S03-ZT  
S-S6S03-HZC, S-S6S03-HZT (homologated)



# Akrapovic Slip-On Exhaust System for the Suzuki GSX-R 600 (2006)



105398 (P-MCCZ4) CARBON FIBER CLAMP FOR CARBON OUTER SLEEVE MUFFLER  
105399 (P-MCTZ4) CARBON FIBER CLAMP FOR TITANIUM OUTER SLEEVE MUFFLER

105979 (M-Z00505C) TITANIUM MUFFLER WITH CARBON OUTER SLEEVE  
105978 (M-Z00505T) TITANIUM MUFFLER WITH TITANIUM OUTER SLEEVE

101957 (P-ST2A) STICKER

106018 (P-MBS6R2/A1) MUFFLER BRACKET SET

106017 (P-HF197) FITTING KIT

105977 (L-S6SO3) LINK PIPE

102490 (P-R13) CLAMP

101935 (P-S1) SPRING

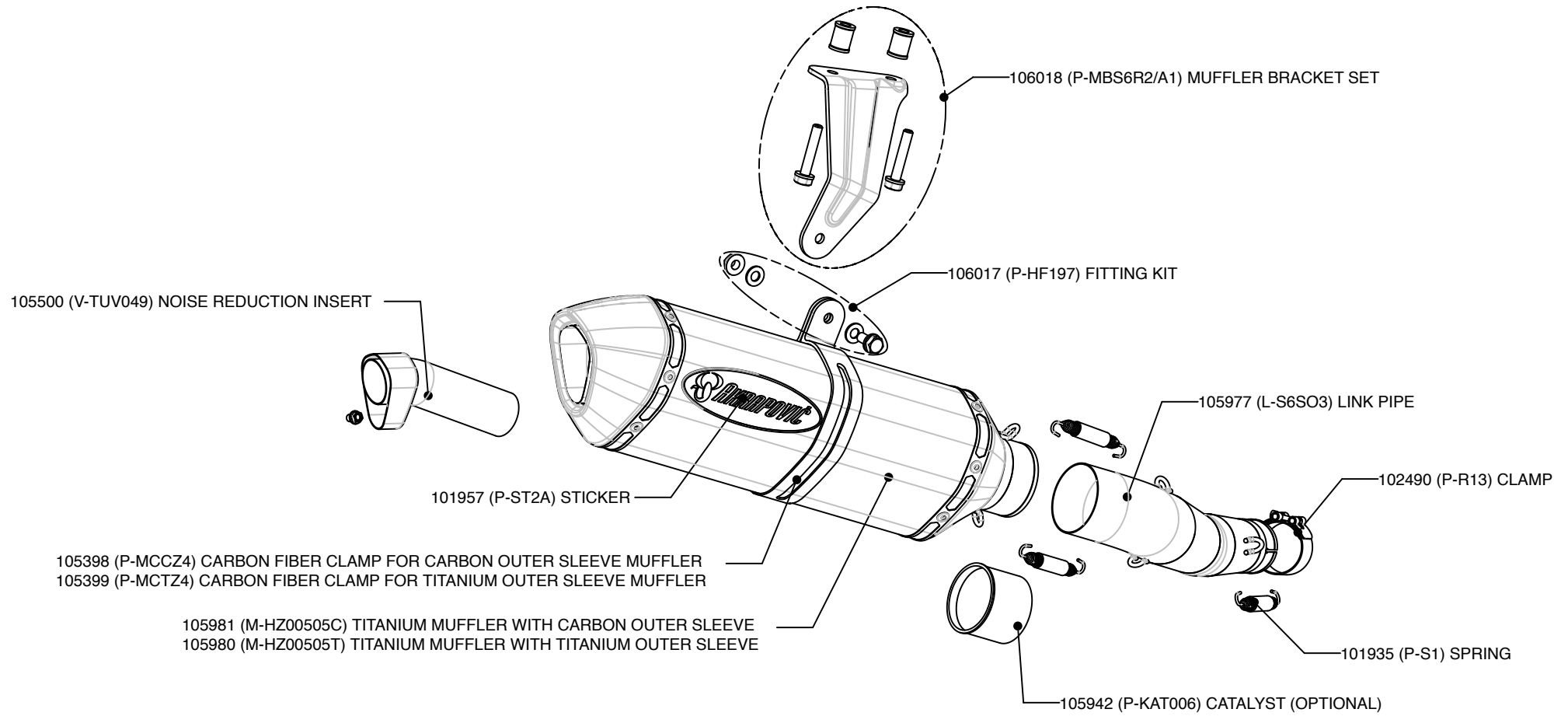
105942 (P-KAT006) CATALYST (OPTIONAL)

Akrapovic Exhaust System Technology copyright 2006, all rights reserved

Road Program

Product code: S-S6SO3-ZC, S-S6SO3-ZT

# Akrapovic Slip-On Exhaust System for the Suzuki GSX-R 600 (2006)



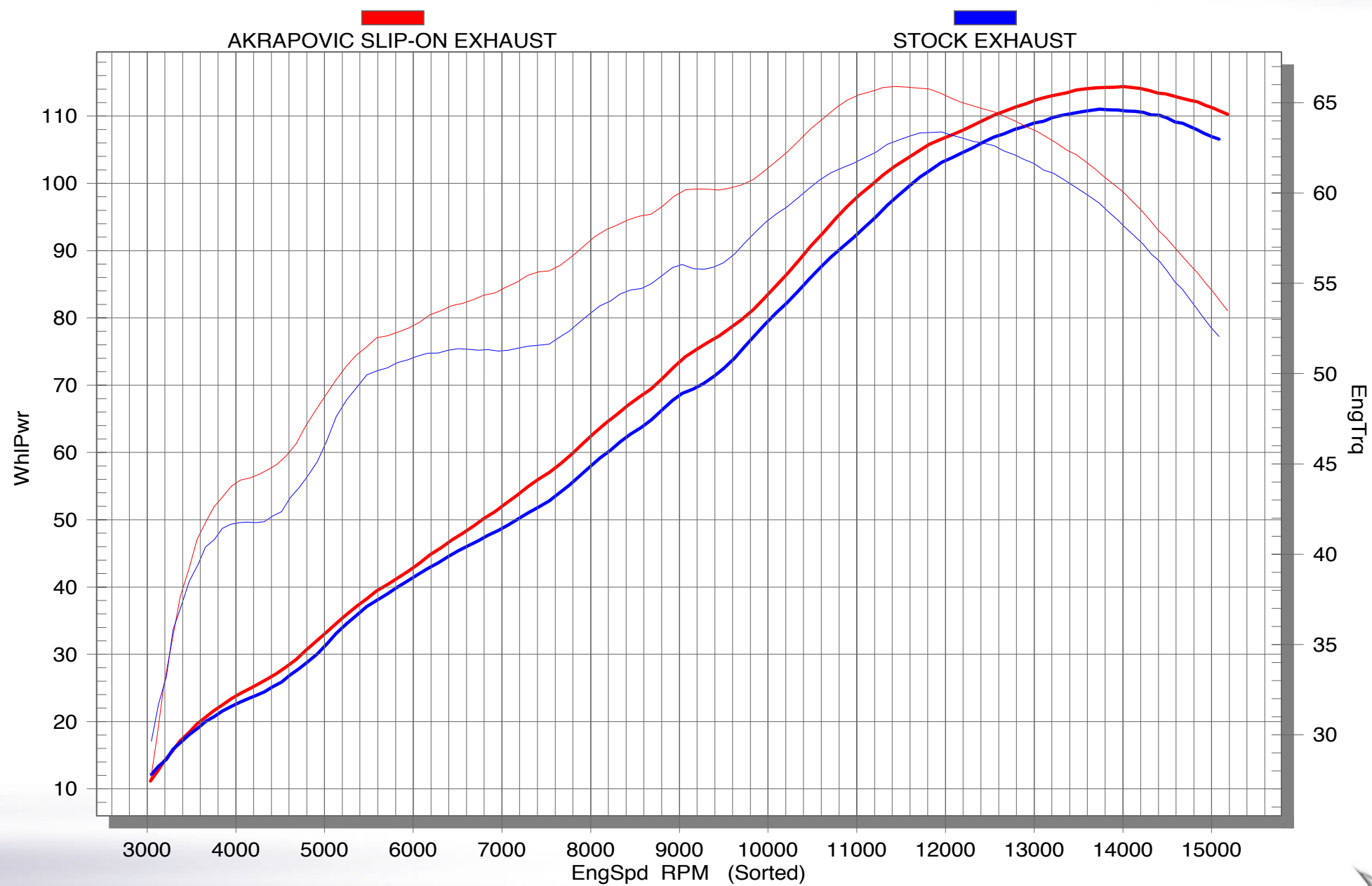
Akrapovic Exhaust System Technology copyright 2006, all rights reserved

Road Program

Product code: S-S6SO3-HZC, S-S6SO3-HZT (homologated)



# Akrapovic Slip-On Exhaust System for the Suzuki GSX-R 600 (2006)



Road Program

Product code: S-S6SO3-ZC, S-S6SO3-ZT  
S-S6SO3-HZC, S-S6SO3-HZT (homologated)



Akrapovic Exhaust System Technology copyright 2006, all rights reserved